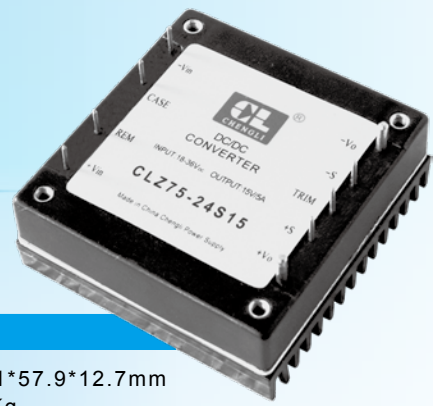


DC/DC CLZ 系列

工业标准 1/2 砖，高可靠性，高效率

75-150W



物理特性

结构尺寸: 61*57.9*12.7mm
重量: 0.11Kg

特性

Features

- 工业标准 1/2 砖 Industry standard 1/2 brick
- 1500VDC 绝缘强度 1500VDC isolation strength
- 快速动态响应 Fast dynamic response
- 高可靠性，高效率 Design for high reliability, high efficiency
- 高功率密度 High power density

输入特性

Input Characteristics

电压范围: (Voltage Range)	DC-DC	24V _{DC} (Normal)	18-36V _{DC}
		48V _{DC} (Normal)	36-72V _{DC}
		110V _{DC} (Normal)	66-160V _{DC}

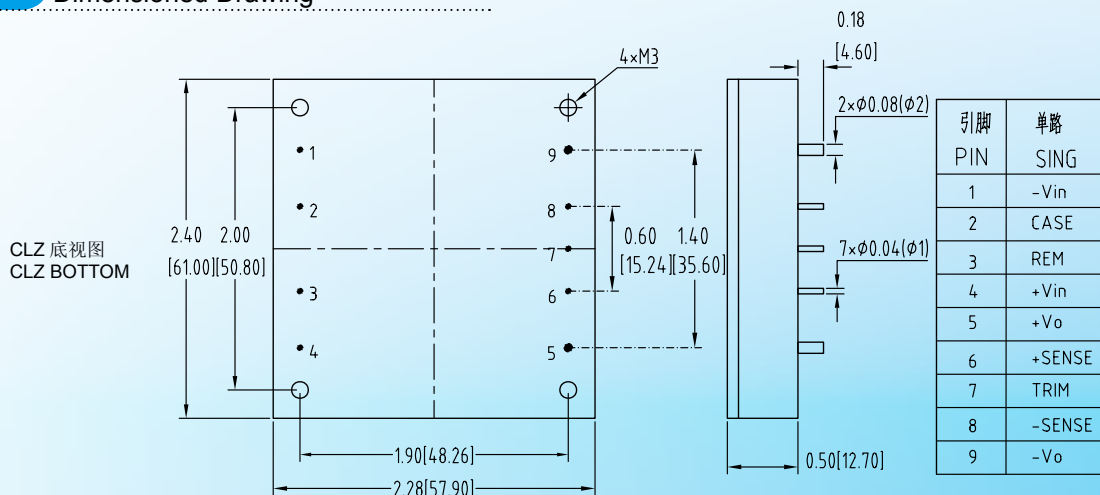
输出特性

Output Characteristics

稳压精度: (Regulated Voltage Accuracy)	± 1%
输出电压调节范围: (Line Regulation)	± 10%
电压调整率: (Line Regulation)	± 0.2%
负载调整率: (Load Regulation)	± 0.5%
温度变化率: (Temperature Coefficient)	± 0.02% /°C
电流限制点: (Output Current Limiting)	120% (Typ)
瞬态响应: (Transient Response)	400 μs

尺寸图

Dimensioned Drawing



一般特性

General Characteristics

工作频率 (典型值): (Switching Frequency)	250 KHz
隔离电阻: (Isolation Resistance)	200 (Typ)MΩ
MTBF:	>1000000 hrs

绝缘强度 (Insulation Voltage)

输入 - 输出: (Input-Output)	> 1500 V _{DC}
输入 - 外壳: (Input-Case)	> 1050 V _{DC}
输出 - 外壳: (Output-Case)	> 500 V _{DC}

环境特性 (Environmental Characteristics)

工作壳温: (Operation Temperature)	工业品 (Industry)	-25~+85°C
	军 I (Military I)	-40~+85°C
	军 II (Military II)	-55~+85°C
存储温度: (Storage Temperature)	工业品 (Industry)	-45~+105°C
	军品 (Military)	-55~+105°C

热阻特性

Thermal Characteristics

冷却方式: (Cooling)	热阻 (Thermal Resistance)	热阻 (加散热器) (Thermal Resistance)
自然风冷: (Breeze of Nature)	6.67°C / W	4.66°C / W
0.5M/S	5.56°C / W	3.89°C / W
1M/S	4.15°C / W	2.90°C / W
1.5M/S	3.02°C / W	2.11°C / W
2M/S	2.50°C / W	1.75°C / W

DC/DC CLZ 系列

型号

Models

输入电压 (Vdc) Input Voltage	输入电压 (范围) Input Voltage<Range>	输出电压 (Vdc) Output Voltage	输出电流 (A) Output Current	纹波 pk-pk (mV) Ripple and noise	效率 (Typ) Efficiency	型号 Models
24	18-36	5	15	50	89%	CLZ75-24S05
24	18-36	12	6.25	120	87%	CLZ75-24S12
24	18-36	15	5	150	87%	CLZ75-24S15
24	18-36	5	20	50	89%	CLZ100-24S05
24	18-36	12	8.33	120	87%	CLZ100-24S12
24	18-36	15	6.67	150	87%	CLZ100-24S15
24	18-36	24	4.17	200	86%	CLZ100-24S24
24	18-36	28	3.57	300	86%	CLZ100-24S28
24	18-36	5	25	50	89%	CLZ125-24S05
24	18-36	12	10.42	120	87%	CLZ125-24S12
24	18-36	15	8.33	150	87%	CLZ125-24S15
24	18-36	24	5.21	200	86%	CLZ125-24S24
24	18-36	28	4.46	300	86%	CLZ125-24S28
24	18-36	5	30	50	89%	CLZ150-24S05
24	18-36	12	12.5	120	87%	CLZ150-24S12
24	18-36	15	10	150	87%	CLZ150-24S15
24	18-36	24	6.25	200	86%	CLZ150-24S24
24	18-36	28	5.36	300	86%	CLZ150-24S28
48	36-72	5	15	50	89%	CLZ75-48S05
48	36-72	12	6.25	120	87%	CLZ75-48S12
48	36-72	15	5	150	87%	CLZ75-48S15
48	36-72	5	20	50	89%	CLZ100-48S05
48	36-72	12	8.33	120	87%	CLZ100-48S12
48	36-72	15	6.67	150	87%	CLZ100-48S15
48	36-72	24	4.17	200	86%	CLZ100-48S24
48	36-72	28	3.57	300	86%	CLZ100-48S28
48	36-72	5	25	50	89%	CLZ125-48S05
48	36-72	12	10.42	120	87%	CLZ125-48S12
48	36-72	15	8.33	150	87%	CLZ125-48S15
48	36-72	24	5.21	200	87%	CLZ125-48S24
48	36-72	28	4.46	300	87%	CLZ125-48S28
48	36-72	5	30	50	89%	CLZ150-48S05
48	36-72	12	12.5	120	87%	CLZ150-48S12
48	36-72	15	10	150	87%	CLZ150-48S15
48	36-72	24	6.25	200	87%	CLZ150-48S24
48	36-72	28	5.36	300	87%	CLZ150-48S28
110	66-160	5	15	50	89%	CLZ75-110S05
110	66-160	12	6.25	120	87%	CLZ75-110S12
110	66-160	15	5	150	87%	CLZ75-110S15
110	66-160	5	20	50	89%	CLZ100-110S05
110	66-160	12	8.33	120	87%	CLZ100-110S12
110	66-160	15	6.67	150	87%	CLZ100-110S15
110	66-160	24	4.17	200	87%	CLZ100-110S24
110	66-160	28	3.57	300	87%	CLZ100-110S28
110	66-160	5	25	50	89%	CLZ125-110S05
110	66-160	12	10.42	120	87%	CLZ125-110S12
110	66-160	15	8.33	150	87%	CLZ125-110S15
110	66-160	24	5.21	200	87%	CLZ125-110S24
110	66-160	28	4.46	300	87%	CLZ125-110S28
110	66-160	5	30	50	89%	CLZ150-110S05
110	66-160	12	12.5	120	87%	CLZ150-110S12
110	66-160	15	10	150	87%	CLZ150-110S15
110	66-160	24	6.25	200	87%	CLZ150-110S24
110	66-160	28	5.36	300	87%	CLZ150-110S28

单
路

■ 说明: 仅列出典型型号, 其它型号请确定功率、输入电压及输出电压后, 致电我公司。

Only typical models and listed. If you need other models, please confirm the power, input voltage and output voltage, then phone us.