

DC/DC CJ 系列

体积小, 可 9-36V (四倍电压输入)
引出脚功能兼容

15-20W



物理特性

结构尺寸: 50.8*40.6*12.5mm
重量: 0.05Kg

特性

Features

- 输入 C 型滤波 C type input filter
- 体积小 Small form factor
- 高可靠性, 长寿命设计 Design for high reliability, long lifetime
- 引出脚功能兼容 Pin function compatible
- 高功率密度 High power density

一般特性

General Characteristics

工作频率 (典型值): (Switching Frequency)	200 KHz
隔离电阻: (Isolation Resistance)	200 (Typ)MΩ
MTBF:	>500000 hrs

输入特性

Input Characteristics

电压范围: (Voltage Range)	DC-DC 12V _{DC} (Normal)	9-18V _{DC}
	18V _{DC} (Normal)	9-36V _{DC}
	24V _{DC} (Normal)	18-36V _{DC}
	48V _{DC} (Normal)	36-72V _{DC}
	110V _{DC} (Normal)	66-160V _{DC}

输出特性

Output Characteristics

稳压精度: (Regulated Voltage Accuracy)	± 1%
输出电压调节范围: (Line Regulation)	± 10%
电压调整率 (主路): (Line Regulation)	± 0.2%
负载调整率 (主路): (Load Regulation)	± 0.5%
温度变化率: (Temperature Coefficient)	± 0.02% /°C
交叉调节率 (Cross Regulation) (主路 30%-100% 负载, 辅路 80% 负载) (Main load 30%-100%, Aux load 80%)	± 3%
电流限制点: (Output Current Limiting)	120% (Typ)
瞬态响应: (Transient Response)	400 μs

绝缘强度 (Insulation Voltage)

输入 - 输出: (Input-Output)	> 1500 V _{DC}
输入 - 外壳: (Input-Case)	> 1050 V _{DC}
输出 - 外壳: (Output-Case)	> 500 V _{DC}

环境特性 (Environmental Characteristics)

工作壳温: (Operation Temperature)	工业品 (Industry)	-25~+85°C
	军 I (Military I)	-40~+85°C
	军 II (Military II)	-55~+85°C
存储温度: (Storage Temperature)	工业品 (Industry)	-45~+105°C
	军品 (Military)	-55~+105°C

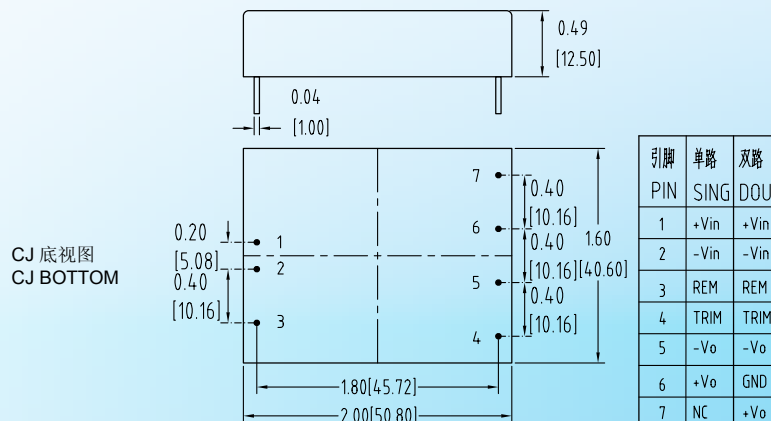
热阻特性

Thermal Characteristics

冷却方式: (Cooling)	热阻 (Thermal Resistance)
自然风冷: (Breeze of Nature)	9. 60°C /W
0. 5M/S	8. 0°C /W
1M/S	6. 15°C /W
1. 5M/S	4. 50°C /W
2M/S	3. 80°C /W

尺寸图

Dimensioned Drawing



单位尺寸为英寸 (毫米)
ALL DIMENSIONS IN INCHES(MM)

DC/DC CJ 系列

型号

Models

输入电压 (Vdc) Input Voltage	输入电压 (范围) Input Voltage<Range>	输出电压 (Vdc) Output Voltage	输出电流 (A) Output Current	纹波 pk-pk (mV) Ripple and noise	效率 (Typ) Efficiency	型号 Models
12	9-18	5	3	50	75%	CJ15-12S05
12	9-18	12	1.25	120	82%	CJ15-12S12
12	9-18	24	0.63	200	83%	CJ15-12S24
12	9-18	5	4	50	75%	CJ20-12S05
12	9-18	12	1.67	120	82%	CJ20-12S12
12	9-18	24	0.83	200	83%	CJ20-12S24
18	9-36	5	3	50	75%	CJ15-18S05
18	9-36	12	1.25	120	82%	CJ15-18S12
18	9-36	24	0.63	200	83%	CJ15-18S24
18	9-36	5	4	50	75%	CJ20-18S05
18	9-36	12	1.67	120	82%	CJ20-18S12
18	9-36	24	0.83	200	83%	CJ20-18S24
24	18-36	5	3	50	75%	CJ15-24S05
24	18-36	12	1.25	120	82%	CJ15-24S12
24	18-36	24	0.63	200	83%	CJ15-24S24
24	18-36	5	4	50	75%	CJ20-24S05
24	18-36	12	1.67	120	82%	CJ20-24S12
24	18-36	24	0.83	200	83%	CJ20-24S24
48	36-72	5	3	50	75%	CJ15-48S05
48	36-72	12	1.25	120	82%	CJ15-48S12
48	36-72	24	0.63	200	83%	CJ15-48S24
48	36-72	5	4	50	75%	CJ20-48S05
48	36-72	12	1.67	120	82%	CJ20-48S12
48	36-72	24	0.83	200	83%	CJ20-48S24
110	66-160	5	3	50	75%	CJ15-110S05
110	66-160	12	1.25	120	82%	CJ15-110S12
110	66-160	24	0.63	200	83%	CJ15-110S24
110	66-160	5	4	50	82%	CJ20-110S05
110	66-160	12	1.67	120	82%	CJ20-110S12
110	66-160	24	0.83	200	83%	CJ20-110S24
12	9-18	±05	1.5/1.5	50/50	82%	CJ15-12D05
12	9-18	±12	0.63/0.63	120/120	82%	CJ15-12D12
12	9-18	±24	0.31/0.31	200/200	83%	CJ15-12D24
12	9-18	±05	2/2	50/50	82%	CJ20-12D05
12	9-18	±12	0.83/0.83	120/120	82%	CJ20-12D12
12	9-18	±24	0.42/0.42	200/200	83%	CJ20-12D24
24	18-36	±05	1.5/1.5	50/50	82%	CJ15-24D05
24	18-36	±12	0.63/0.63	120/120	82%	CJ15-24D12
24	18-36	±24	0.31/0.31	200/200	83%	CJ15-24D24
24	18-36	±05	2/2	50/50	82%	CJ20-24D05
24	18-36	±12	0.83/0.83	120/120	82%	CJ20-24D12
24	18-36	±24	0.42/0.42	200/200	83%	CJ20-24D24
48	36-72	±05	1.5/1.5	50/50	82%	CJ15-48D05
48	36-72	±12	0.63/0.63	120/120	82%	CJ15-48D12
48	36-72	±24	0.31/0.31	200/200	83%	CJ15-48D24
48	36-72	±05	2/2	50/50	82%	CJ20-48D05
48	36-72	±12	0.83/0.83	120/120	82%	CJ20-48D12
48	36-72	±24	0.42/0.42	200/200	83%	CJ20-48D24
48	36-72	±48	0.21/0.21	300/300	85%	CJ20-48D48
110	66-160	±12	0.63/0.63	120/120	82%	CJ15-110D12
110	66-160	±24	0.31/0.31	200/200	83%	CJ15-110D24
110	66-160	±12	0.83/0.83	120/120	82%	CJ20-110D12
110	66-160	±24	0.42/0.42	200/200	83%	CJ20-110D24

■ 说明: 仅列出典型型号, 其它型号请确定功率、输入电压及输出电压后, 致电我公司。

Only typical models and listed. If you need other models, please confirm the power, input voltage and output voltage, then phone us.